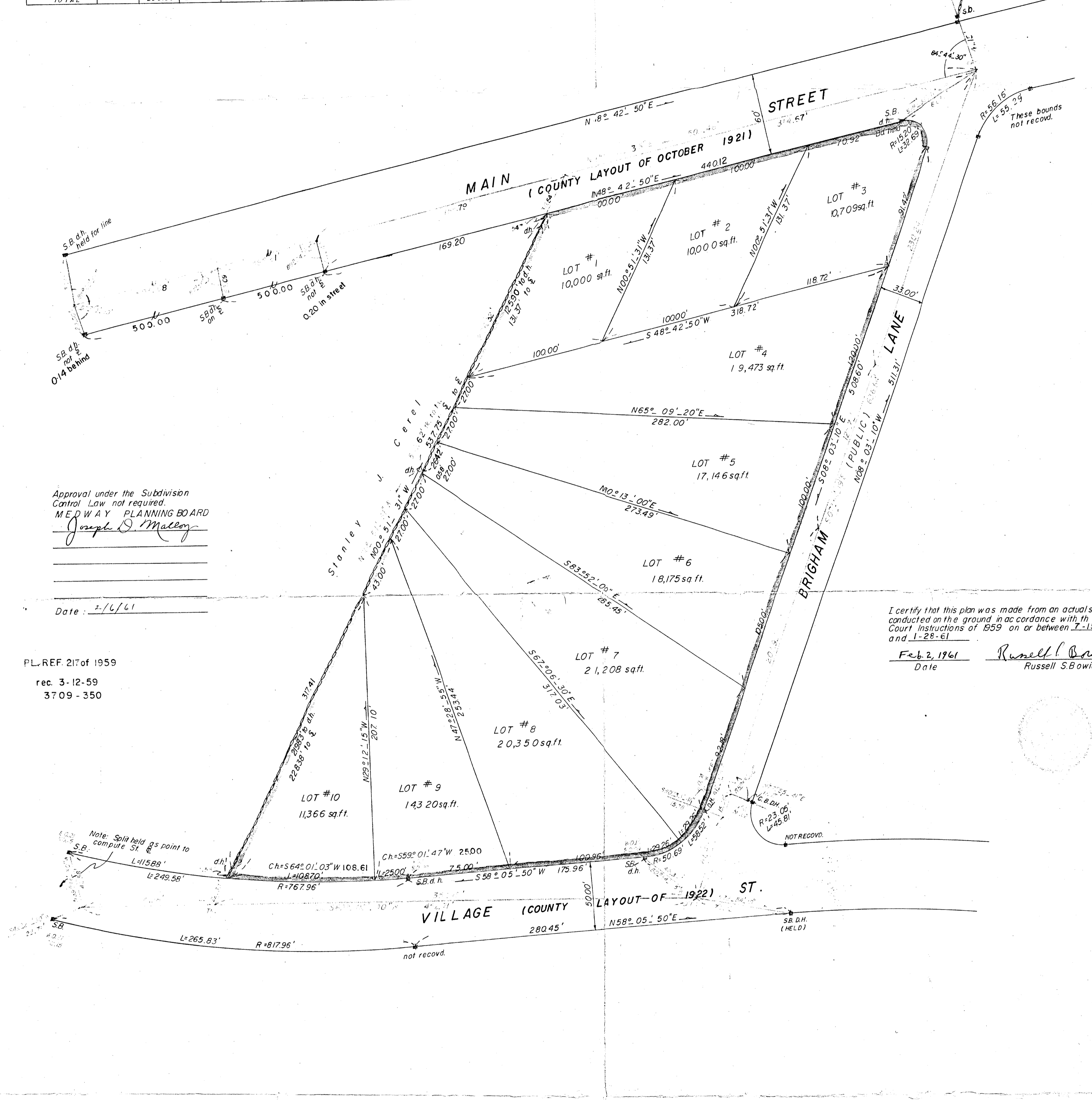
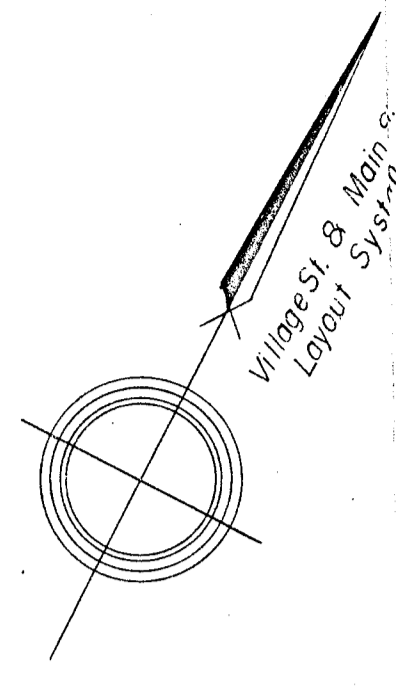


Property Line Balance						
STA	BEARING	DIST	E	W	N	S
						X ² = 9385.55
						Y ² = 8911.78
N00°51'31"W	228.38'		3.42	228.35		9382.13
N00°51'31"W	43.00'		0.64	43.00		9381.49
N00°51'31"W	27.00'		0.41	26.99		9381.08
N00°51'31"W	27.00'		0.41	27.00		9380.67
N00°51'31"W	27.00'		0.40	26.99		9380.27
N00°51'31"W	27.00'		0.40	27.00		9379.87
N00°51'31"W	27.00'		0.40	26.99		9379.47
N00°51'31"W	131.37'		1.97	131.36		9377.80
N48°42'50"E	100.00'	75.14		65.98		9452.54
N48°42'50"E	100.00'	75.14		65.98		9527.78
N48°42'50"E	70.92'	53.29		46.80		9581.07
N48°42'50"E	28.13'	21.14		18.56		9602.21
S08°03'10"E	28.13'	3.94			27.85	9606.15
S08°03'10"E	31.42'	12.81'			90.52'	9618.96
S08°03'10"E	120.00'	16.81'			118.82'	9635.77
S08°03'10"E	100.00'	14.01'			99.01'	9649.78
S08°03'10"E	105.00'	14.71'			103.96'	9664.49
S08°03'10"E	92.16'	12.91'			91.28'	9677.40
S08°29'05"W	28.86'	4.26			28.54'	9673.14
S47°33'35"W	28.86'	19.14			21.52'	9654.00
S58°05'50"W	100.96'	85.71'			53.36'	9568.29
S58°05'50"W	75.00'	63.67'			39.63'	9504.62
S59°01'47"W	25.00'	21.44			12.86'	9483.18
S64°01'05"W	108.61'	97.63'			47.58'	9385.55
TOTAL		299.90	299.90	735.00	735.00	

Field Traverse Balance						
STA	BEARING	DIST	E	W	N	S
						X ² = 9613.42
						Y ² = 9687.71
S02°57'19"E	636.64'	88.11		630.51'		9613.42
S62°00'40"W	357.45'	315.64		167.75'		9701.53
N00°51'31"W	590.68'	8.85	590.55'			9385.89
N48°42'50"E	314.67'	236.36		207.71'		9377.04
TOTAL	1899.36'	324.49	324.49	798.26	798.26	9613.42



Approval under the Subdivision Control Law not required.
M.E. W. A. Y. PLANNING BOARD
Joseph O. Maloney

Date: 2/1/61

PL. REF. 21 of 1959
rec. 3-12-59
3709-350

I certify that this plan was made from an actual survey conducted on the ground in accordance with the Land Court Instructions of 1959 on or between 1-15-58 and 1-28-61.

Feb. 2, 1961
Date
Russell S. Bowie

PETITIONER'S PLAN OF LAND
IN
MEDWAY, MASS.
PROPERTY OF: THRIFT TOWN REALTY TRUST
SCALE: 1" = 40'
JAN. 28, 1961
BOWIE ENGINEERING CO.
CIVIL ENGINEERS & LAND SURVEYORS
MILLIS, MASS.

30550
MAY BE FILED
2-23-61
Date