

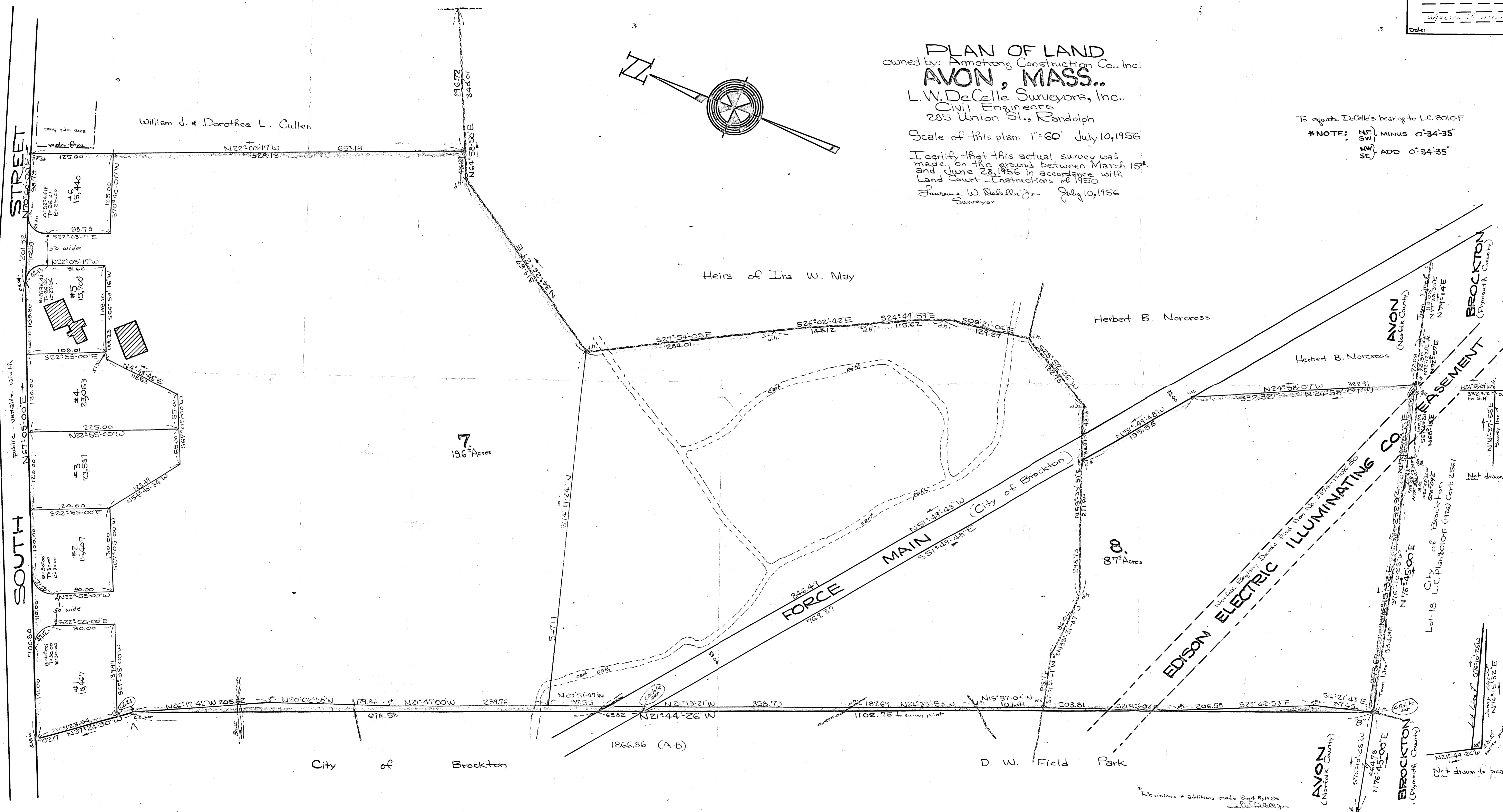
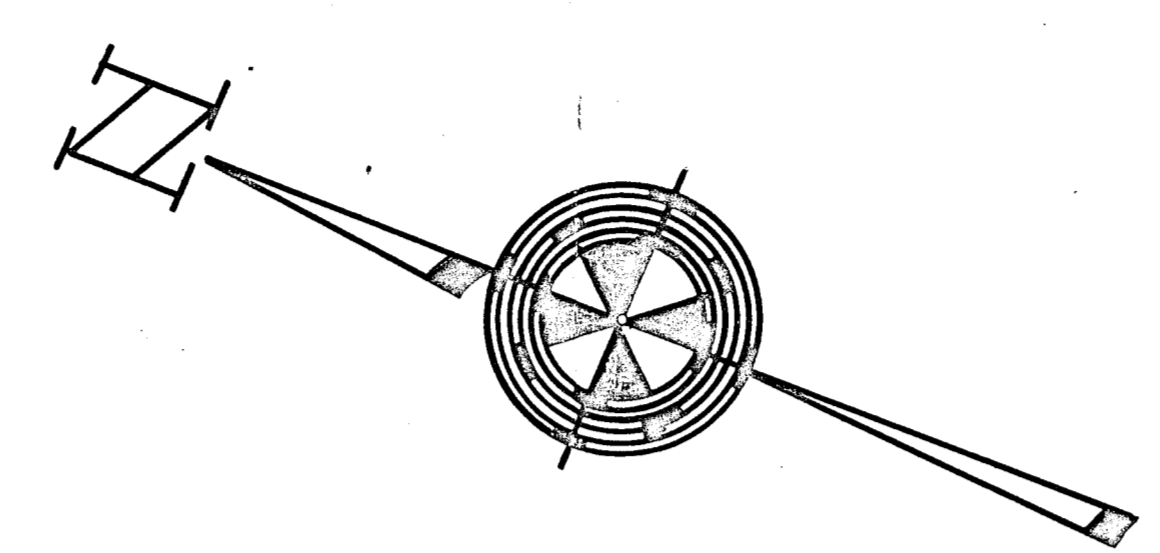
PLAN OF LAND
 owned by: Armstrong Construction Co., Inc.
AVON, MASS.
 L. W. DeCelle Surveyors, Inc.
 Civil Engineers
 285 Union St., Randolph

Scale of this plan: 1"=60' July 10, 1956

I certify that this actual survey was made on the ground between March 15th and June 28, 1956 in accordance with Land Court Instructions of 1950.
Laurance W. DeCelle, Jr. July 10, 1956
 Surveyor

To equate DeCelle's bearing to L.C. 8010 F

*NOTE: NE } MINUS 0°-34'-35"
 SW }
 NW }
 SE } ADD 0°-34'-35"



Revisions & additions made Sept. 8, 1956
L. W. DeCelle, Jr.

Not drawn to scale.

Not drawn to scale.