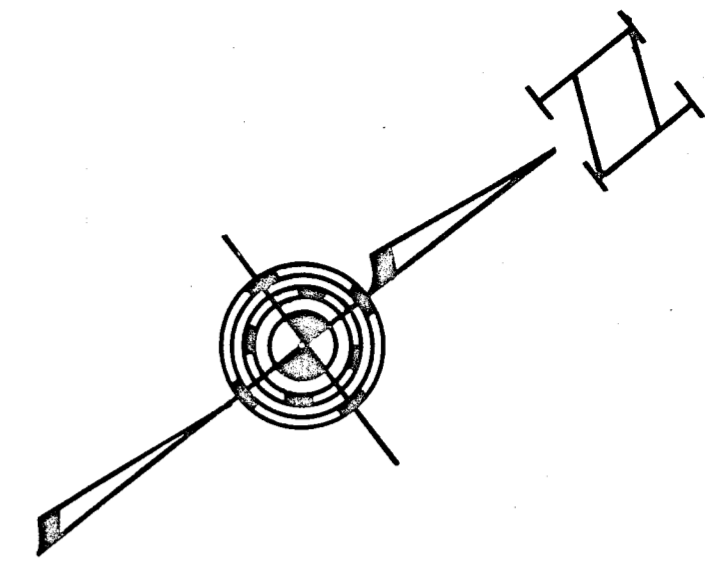


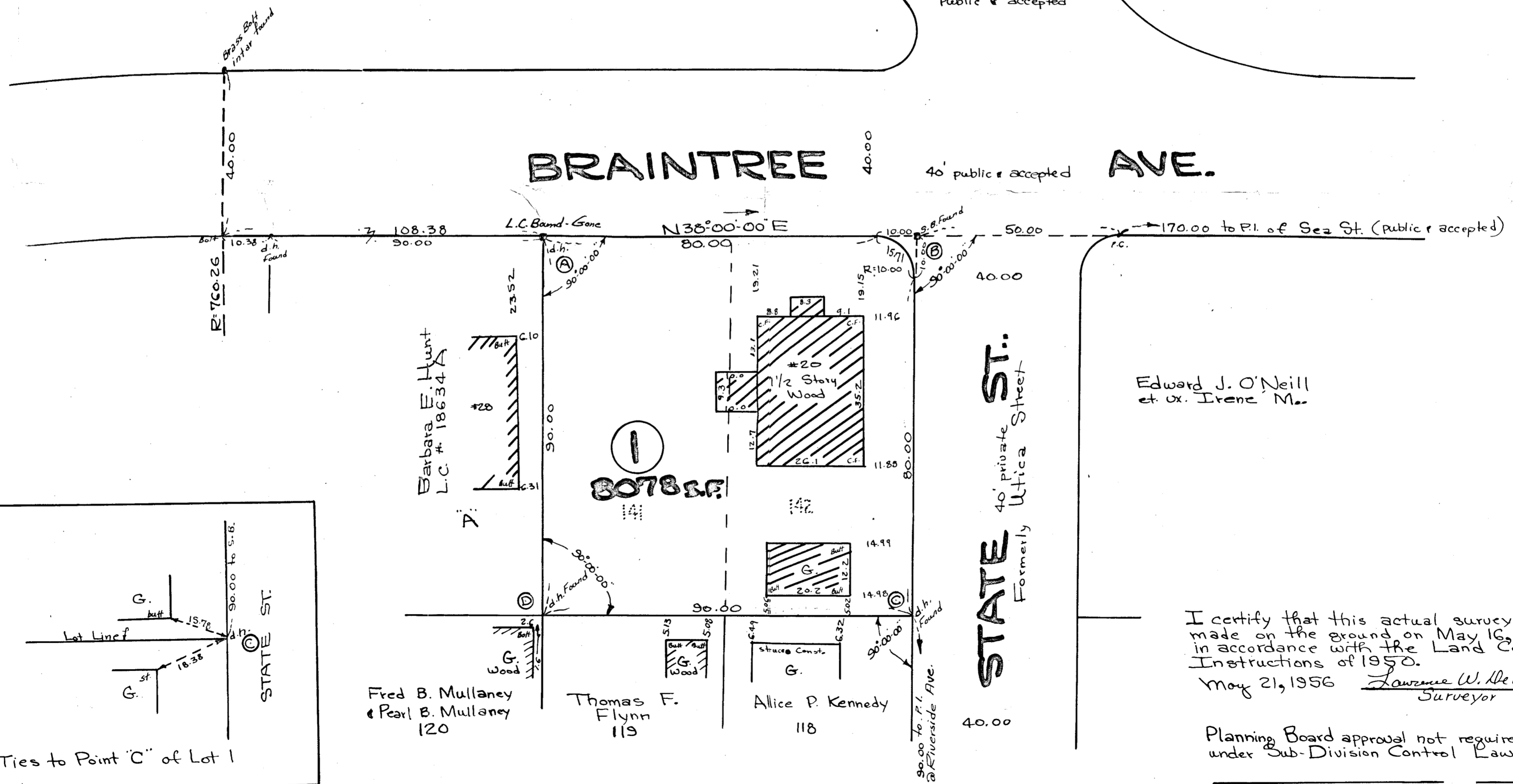
PLAN OF LOT QUINCY, MASS..

Scale 1"=20' May 21, 1956
L. W. DE CELLE SURVEYORS, INC.
Bonded Land Surveyors
1191 North Main St., Randolph



UTICA STREET
Public & accepted

BRAINTREE AVE. 40' public & accepted



Edward J. O'Neill
et ux. Irene M.

I certify that this actual survey was
made on the ground on May 16, 1956
in accordance with the Land Court
Instructions of 1950.
May 21, 1956 Lawrence W. DeCelle Jr.
Surveyor

Planning Board approval not required
under Sub-Division Control Law:

Planning Director - Quincy _____ Date: _____

