

PLAN OF LAND QUINCY - MASS..

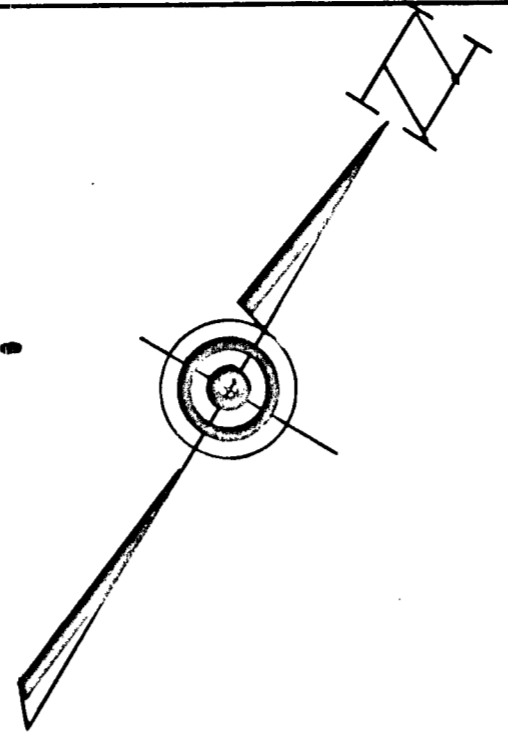
Scale 1"=10' Jan. 28, 1956
 L.W. DeCelle Surveyors, Inc.
 Bonded Land Surveyors
 1191 North Main St., Randolph
 541 Sea Street, Quincy

I certify that this actual survey was made on the ground on January 27, 1956 in accordance with the Land Court Instructions of 1950.

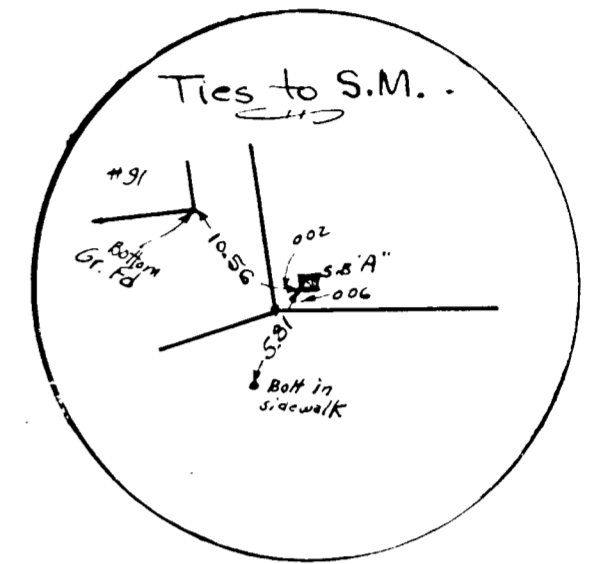
January 28, 1956 Laurence W. DeCelle
 Surveyor

Approval under SubDivision Control not required..

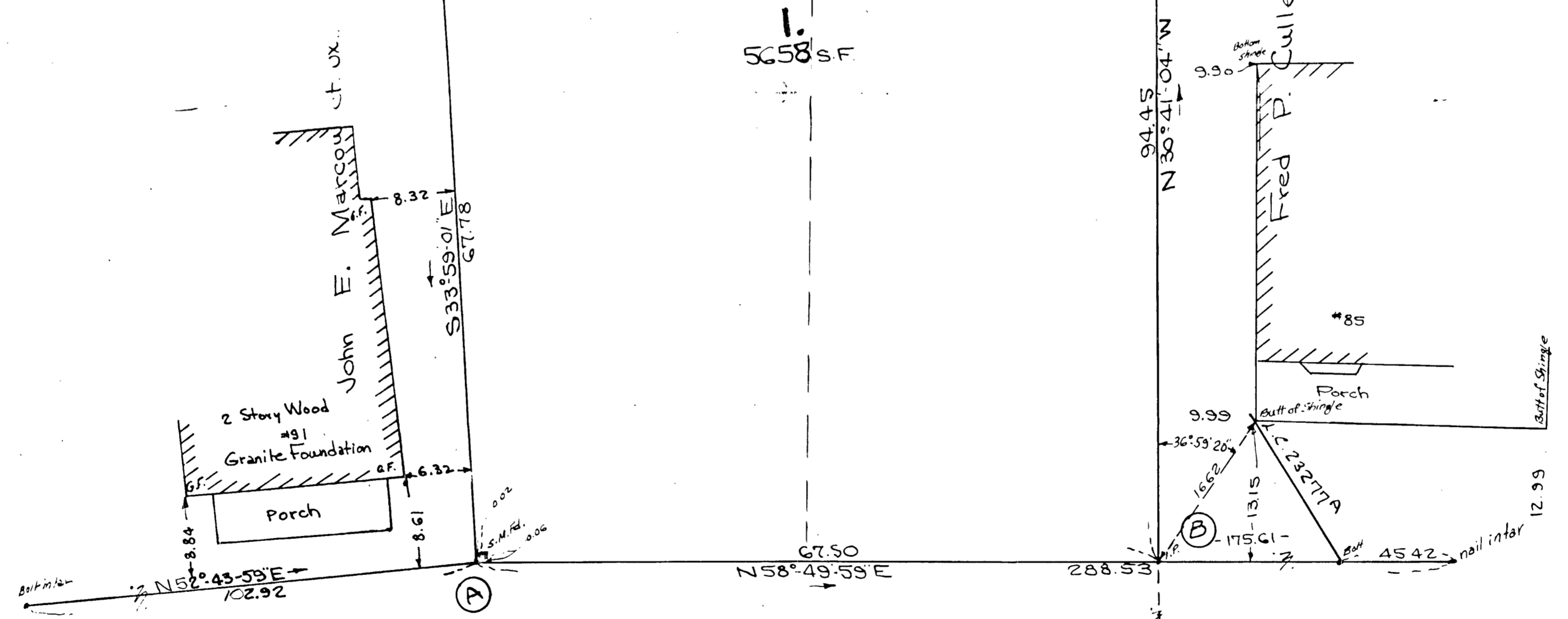
Regis. Harringtons
 DIRECTOR OF PLANNING 2-21-56
 Date:



L.C. 23277A Northern Corporation



Sta.	Bearing	Dist.	N'	S'	E'	W'
A-B	N58°49'59"E	67.50	34.93	—	57.16	—
B-C	N30°41'04"W	94.45	81.23	—	—	48.20
C-D	S38°21'21"W	76.16	—	59.96	—	47.45
D-A	S33°59'01"E	67.78	—	56.20	37.89	—
Total			116.16	116.16	95.65	95.65



WEST SQUANTUM STREET
 PUBLIC 40' WIDE

N.B. A-56

See Quincy Assessor Sheet 6158

FAYETTE ST. PUBLIC