

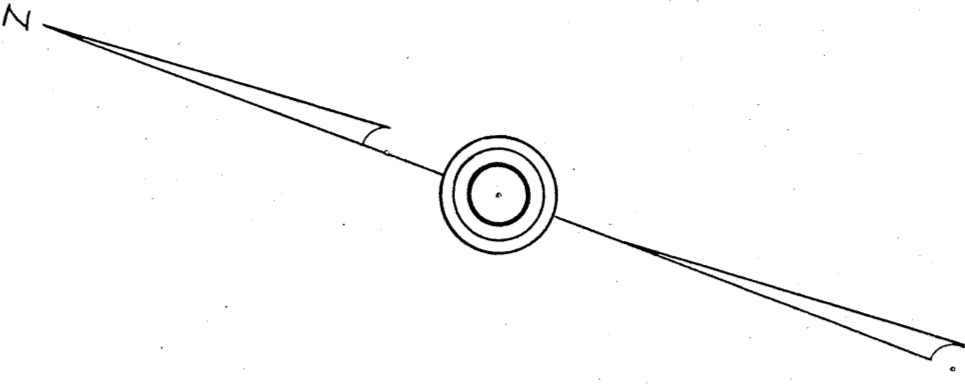
Now or formerly Heirs of
Barzilla Monk

Now or formerly Ethel H. Luffed

Formerly Ethel H. Luffed

Bernard J. St. + Mary M. Malinowski

Lot 1
Area = 9 Acres 34560 S.F.



PLAN OF LAND STOUGHTON, MASS.

Scale: 1"=50' Jan 27, 1955
Notwood Engineering Co. Arnold E. Schaefer, C.E.

I certify that this actual survey was made on the ground
in accordance with the Land Court Instructions of 1950
between Dec. 23, 1954 and Jan 26, 1955
Jan 27, 1955 *Ronald E. Schaefer*

Approval under subdivision control law
not required.
STOUGHTON PLANNING BOARD
February 10, 1955

Joseph J. Lohini Chairman
Almondo S. Savini
James G. Burke
Robert W. Hahn

